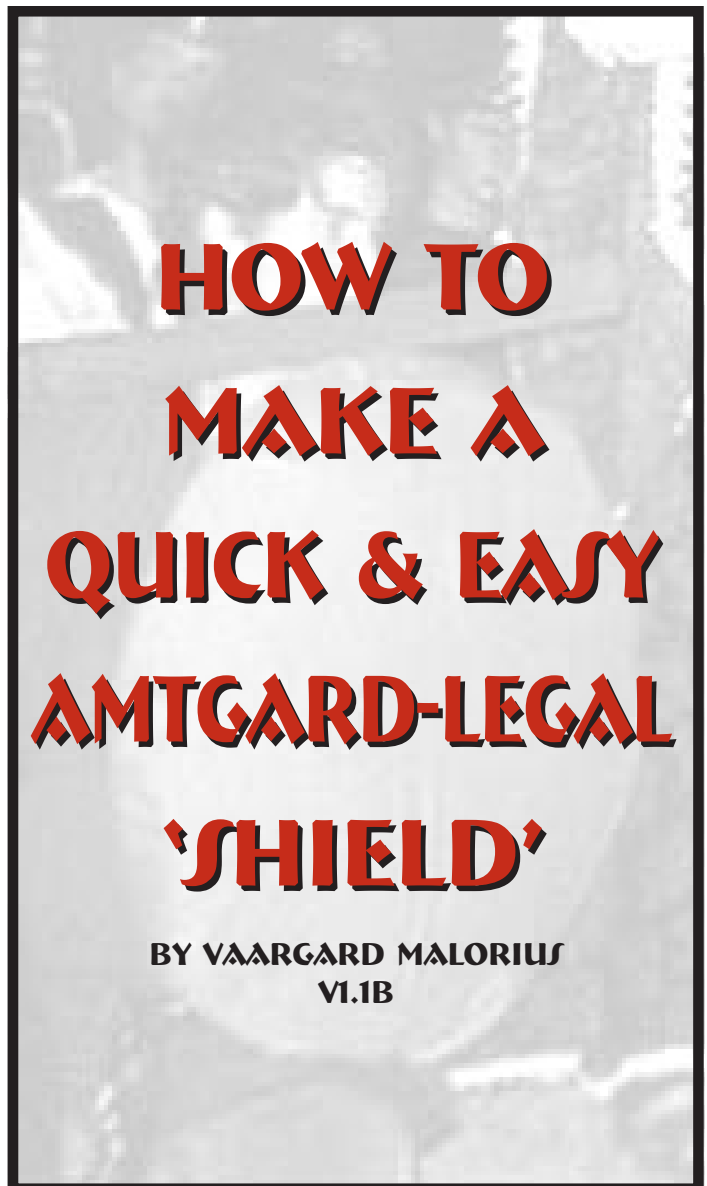


You will need the following supplies to create one medium shield. I am using the 'toboggan shield' as a model as they are the easiest to make, and one of the most durable 'shields' I've seen.

- 1 Toboggan
- 1 36" x 36" x 2" MINIMUM sheet of open-cell foam
- 2 4' lengths of 1/2" inside-diameter pipe insulation
- 1 Pack All Purpose Cord (45' x 1/8" recommended)
- 4 1/4" x 20 x 3/4" Machine screws (Round head)
- 4 1/4" Hex nuts
- 8 1/4" Fender Washers
- 2 1" x 12" x 1/8" Leather strips
- 2 yards fabric of choice for cover
(suede cloth or other heavy fabric recommended)
- Scissors
- Sewing Machine (or Needle & Thread)
- Drill and 1/4" drill bit.
- Permanent marker
- Duct Tape

Substitutions can be made at your discretion, but for purposes of this 'how-to', we will assume you have the above materials and are making a medium round shield and a very basic one-color/one-fabric cover. This design can easily be adapted to produce almost any size or shape of Amtgard shield. Feel free to elaborate, but always remember: **SAFETY FIRST!**

- 1) Drill holes about 1" from the edge around the circumference of the backing (toboggan.) (Fig.3)
- 2) Lay your arm on the shield in the position you are most likely to carry the shield. Use the marker to make 4 dots. One on each side of your palm and one on each side of the THICKEST part of your forearm.
- 3) Drill holes for the wrist and arm straps about 1" farther out than the points you marked. (Fig.3)
- 4) Drill or cut holes in the ends of the two leather strips. Try to center the holes. You may wish to drill 3 holes at ONE end of each strip to allow for adjustable straps.
- 5) Open the pipe insulation along the cut. Wrap the pipe insulation around the edge of the backing. One is not sufficient to do the job so tape the ends together and wrap until the entire edge is covered. Clip off excess & save for future projects. (Fig.4)



- 6) Tape ends of pipe insulation securely.
- 7) Lace the rope through the holes you drilled in step 1 'shoelace-fashion' and tie off ends in a 'shoestring knot'. Tie the 'loops' again. Save the remainder of the rope for the cover. (Fig.4 & 5)
- 8) Set the backing with wrapped edge on top of the foam. Use your marker to trace a line around the edge. Don't worry about it being 'perfect'. The cover will obscure any marks. (Fig.2)
- 9) Cut the foam out along the line you've just drawn using a sharp knife, hacksaw blade, or large pair of scissors. Set it aside.
- 10) Fasten the straps to the backing. Screw, washer, backing, strap, washer, hex nut. The washers are very important as they keep the screw head from pulling through the backing and keep the leather from 'bunching and tearing'. This will finish the backing. (Fig.7)

- 11) Cut a circle of fabric the same size as your foam circle + 1/2" on either side. (A slightly larger circle than the foam.) (Fig.8)
- 12) Cut 3 strips of fabric the width of the fabric (usually between 42" and 60") x 10 1/2".
- 13) Sew these three pieces together at the short end. Be sure that the 2 'joined' areas are on the same side. (wrong side) (Fig.8)
- 14) Fold over approx. 2 1/2" of the fabric and stitch the entire length about 1 1/2" away from the fold. This will finish the skirt for the shield cover.
- 15) Lay the RIGHT side of the skirt on the RIGHT side of the cloth circle. (The side you want showing when the shield is done.
- 16) Sew the rough side (side you did not sew) of the skirt to the circle of cloth about 1/2" in from the edge.
- 17) Sew it AGAIN about 1/8" in from the edge.
- 18) Sew the ends of the skirt together perpendicular to the edge. When finished, this will create, in effect, a big cloth bucket. (Fig.9)
- 19) Punch or cut a hole into the 'channel' made in step 14.
- 20) Run the remainder of the rope through the channel. DO NOT TIE IT OFF YET. Leave it hanging loose.
- 21) Put the foam into the cover.
- 22) Put the backing on top of the foam in the cover.
- 23) Pull both edges of the cover rope until the cover completely covers the edge of the backing and no pipe insulation is showing. (Fig.10 & 11)
- 24) Test the fit of the finished shield. Adjust hand and arm straps accordingly. Redrill holes if necessary and repeat step 10.
- 25) When you are satisfied by the fit of the shield, tie the ends of the cover rope in a 'shoestring knot'. Tie the 'loops' again.
- 25) Decorate cover if you like with fabric paint or Iron-on decals. (Remove cover before applying the latter.)
- 26) Go out to the park, grab a weapon and commence to learning how to use your new shield effectively!



Various Amtgardians with their medium 'toboggan' shields.

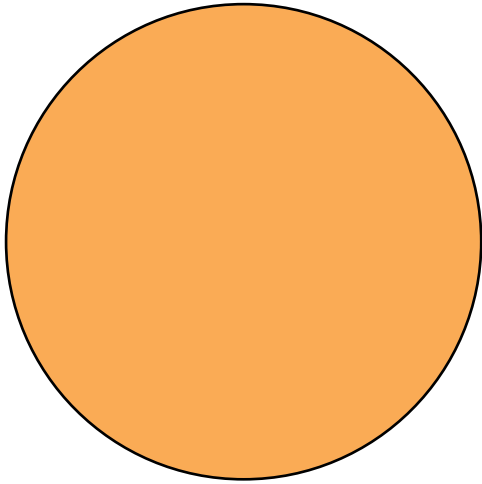


Figure 1: unmodified backing. (toboggan)

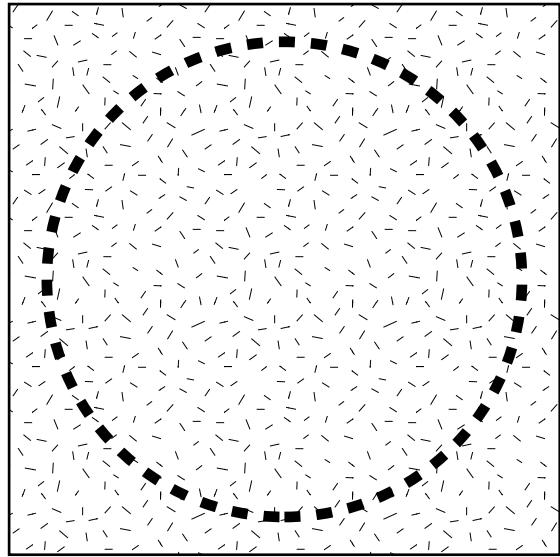


Figure 2: 2'' open cell foam, prior to cutting.

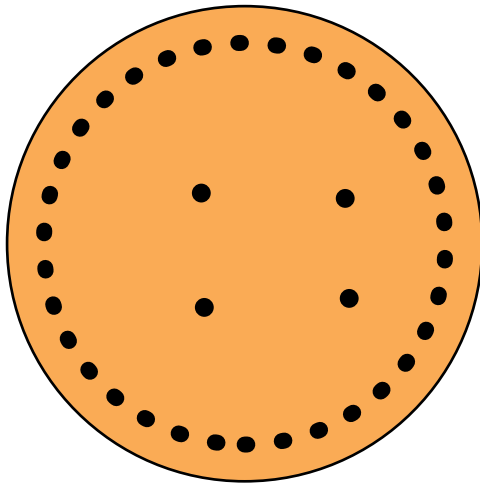


Figure 3: Backing with holes drilled along edge and for straps.

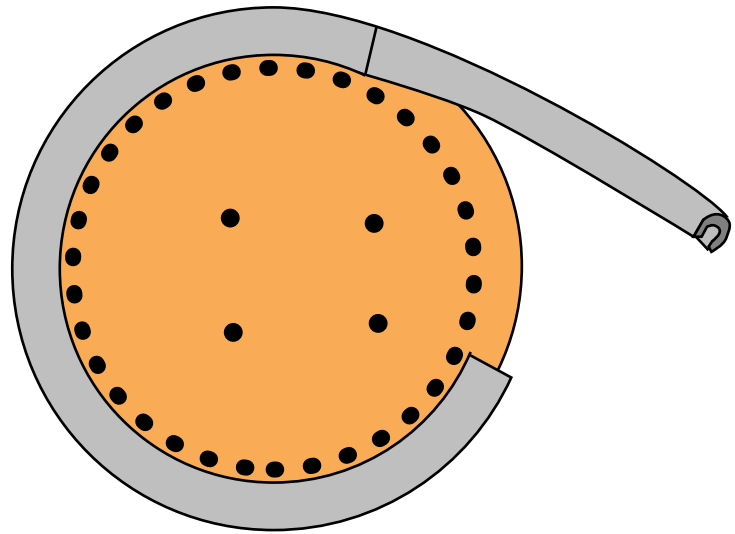


Figure 4: Wrapping pipe insulation around edge..

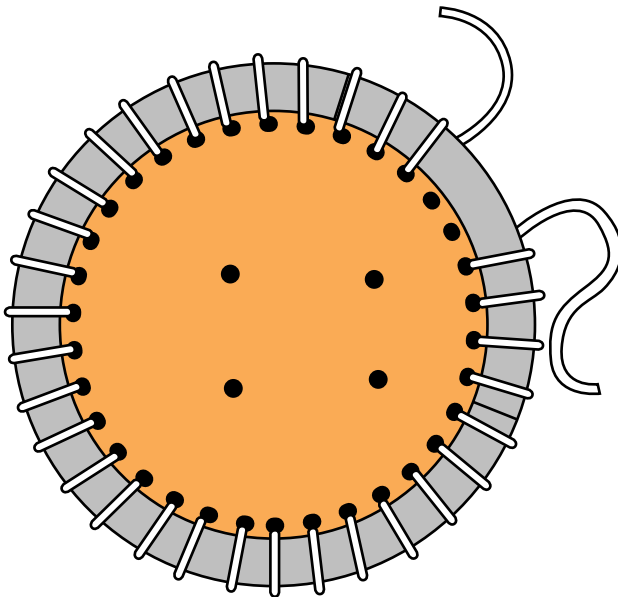


Figure 5: Lacing rope through holes to secure pipe insulation.

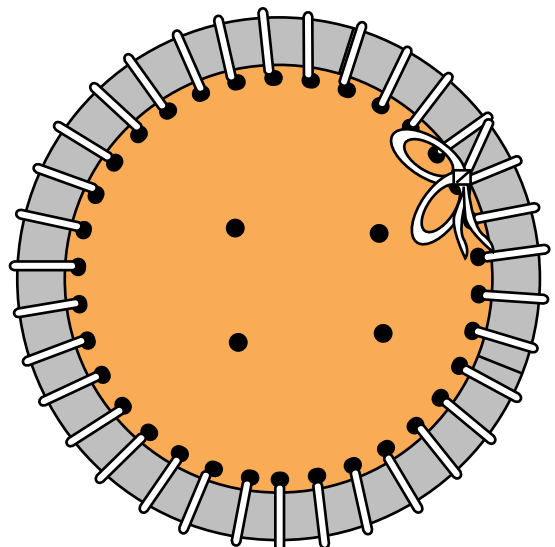


Figure 6: Backing with lacing finished and tied off..

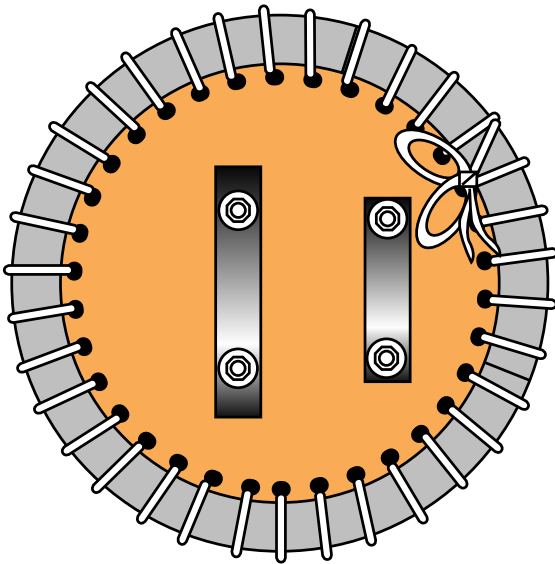


Figure 7: Finished backing with fastened strap..

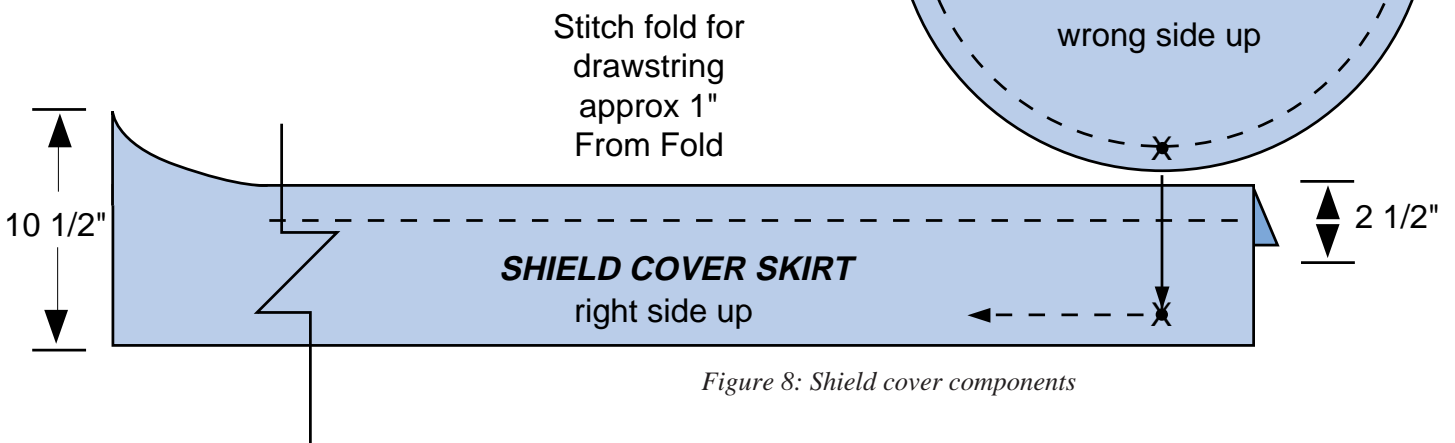
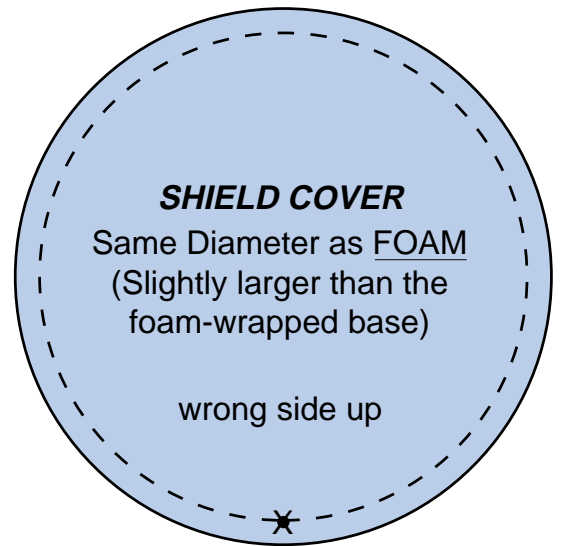


Figure 8: Shield cover components

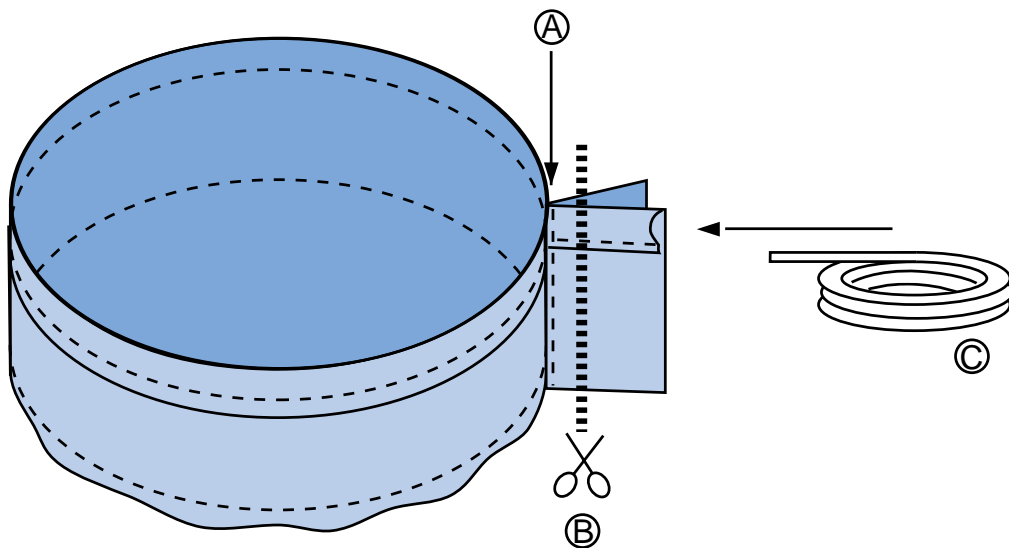


Figure 9: Finishing shield cover. Trimming of excess skirt and threading drawstring through channel in skirt.

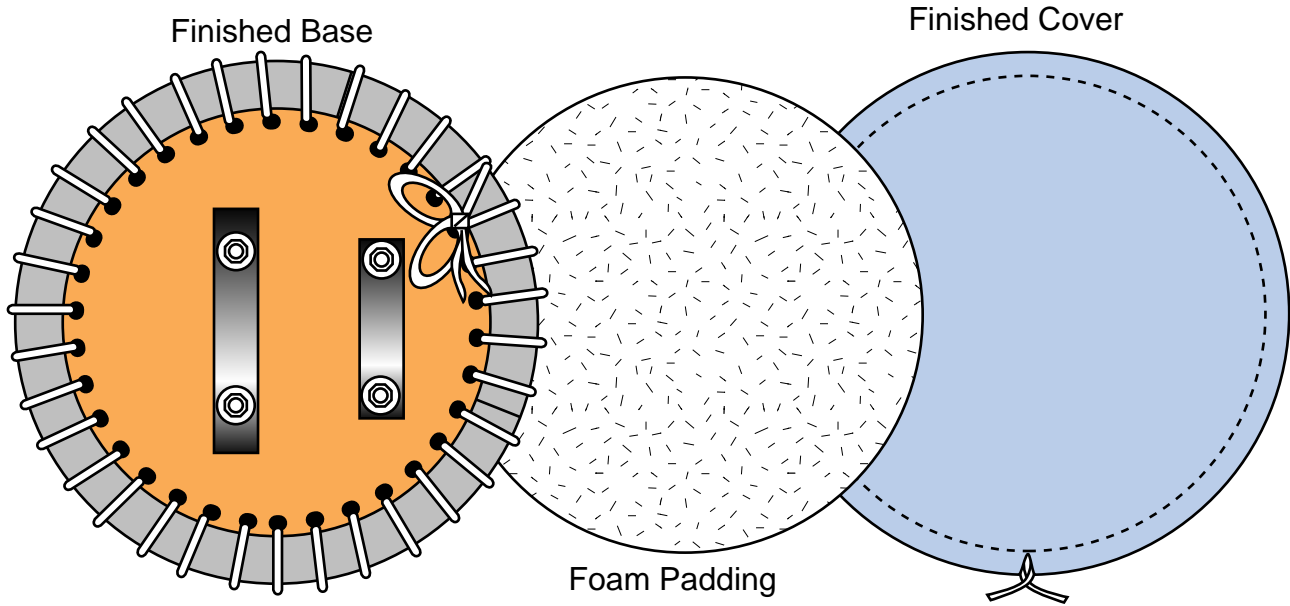


Figure 10: Finished backing, foam cutout, and finished shield cover.

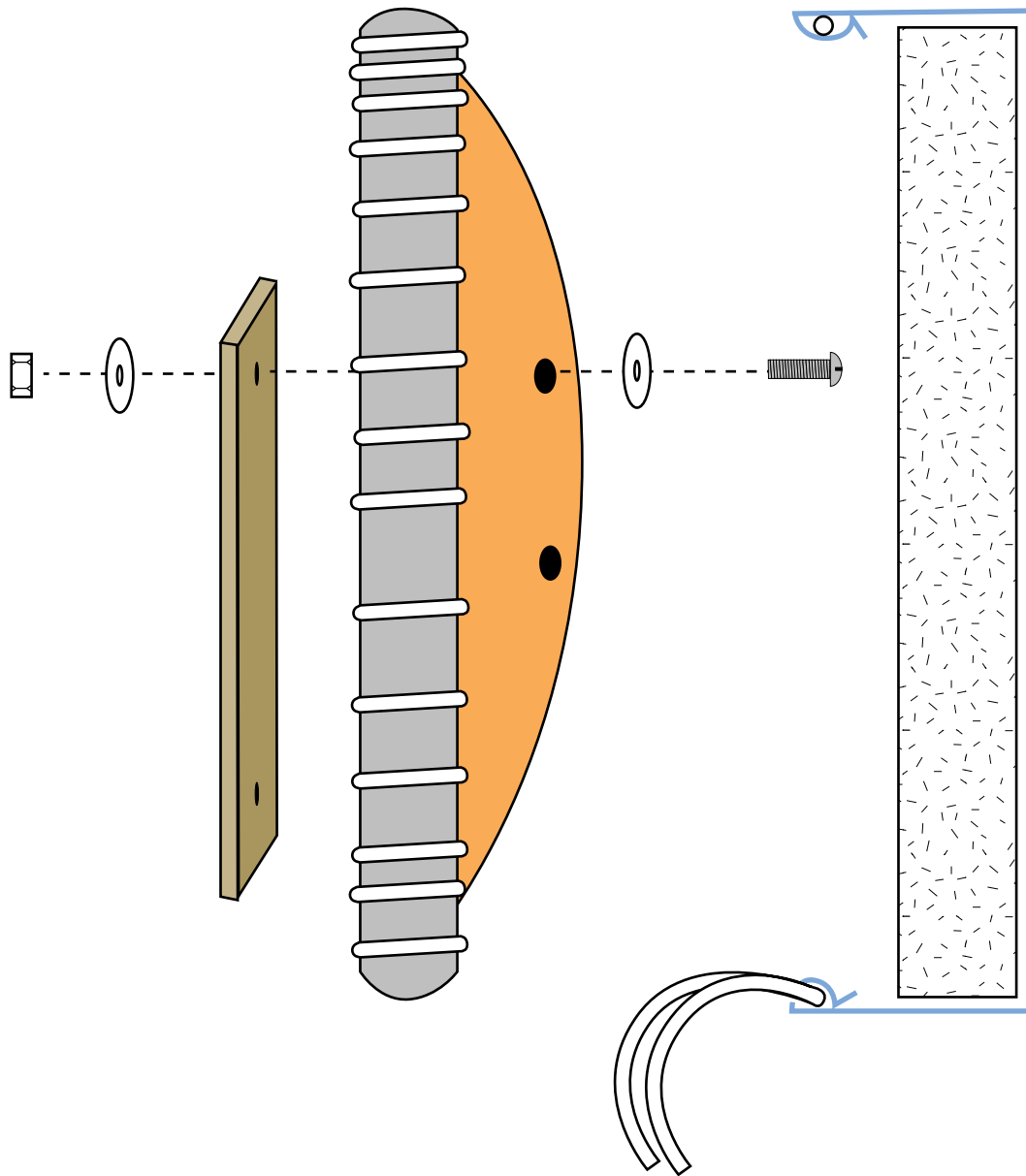


Figure 11: Cross-section of overall shield assembly.