

You will need the following supplies to create two 'juggling' scoring posts and one Amtgard-legal 'dog skull'.

- 1 Funoodle™
- 2 Funoodle™ connectors (no side holes, looks like a big Koozie)
- 2 Tent Stakes (the round ones that look like really big nails)
- 1 pack (2) 7/8" x 4" Handyman springs (part no. SP-9713 if you can find them. (Home Depot®)).
- 1 yard fabric of choice to cover 'posts' (suede cloth or other heavy, durable fabric recommended)
- 1 roll of 1/2" camping foam ("Blue Foam") (+two rolls if no-stake foam variant is desired) or 2 plastic trash can lids if available (2.5' ø +/- recommended).
- Scissors
- Marker
- Push pins (optional)
- Duct Tape (sugg. 1 roll black, 1 roll white)
- 2 scrap pieces of hard plastic (6"-8" ø) (optional)

Substitutions can be made at your discretion, but for purposes of this 'how-to', we will assume you have the above materials and are making one set of 2 poles and one skull. This design has been proven safe and I have included three separate designs for fully functional and Amtgard-legal 'skulls'. Feel free to elaborate, but always remember: SAFETY FIRST!

UPRIGHT SCORING POSTS

- 1) Cut the Funoodle™ in half. Round one end on each piece.
- 2) Open the package of springs and the package of tent stakes.
- 3) Remove the plastic 'hook/tie-down' from each tent stake.
- 4) Wrap duct tape around the top of each tent stake, edge flush with the head of the stake, until they fit **snugly** into the springs. (It should be easy to insert into the spring, but not loose. Add and remove small pieces of tape until the spring cannot slide off under its own weight if inverted. (Fig. 2)
- 5) **Get the two pieces of hard plastic. Drill or punch holes in the center of each piece approximately the same size as the tent stake. Slip onto the tent stake until flush with the duct tape wrapping. This step is optional, but it makes the stakes much easier to remove after play. (Fig. 2)



- 6) Make covers for the posts. If you are unsure as to how to do this, see the How-To on making Funoodle™ swords.
- 7) Tape the rounded tops of the posts.
- 8) Put the covers on the posts. Tape the covers onto the SIDE of the post about 3" from the bottom.
- 9) Slide the Funoodle™ connectors over the tape that holds down the covers. Leave about 1 1/2" of space between the base of the Funoodle™ and the base of the Funoodle™ connector.
- 10) Use a dowel, drill bit, or pencil to push a 'pilot hole' into the center of the bottom of the Funoodle™.
- 11) Twist one half of the spring into the bottom of the Funoodle™ until only 1 1/2" is left showing. This is a finished post.
- 12) Repeat steps 6-11 on the other post.
- 13) Now go build a 'dog skull'!



Figure 1: Detail of base of post & spring

'NO METAL' SCORING POSTS VARIANT

At a recent event, we ran into the problem that we could not drive the stakes into the ground. (We were playing on astroturf.) In order to still use the stakes, we had to arrive at some way to keep them vertically rooted and still be safe. The following is the conclusion we reached. An added benefit to this design is that this version may be staked down as well, so you do not need to make different sets for different terrain. All you will need to convert your pervious set to this variation is another two rolls of 1/2" camping foam ("Blue Foam") **or** a couple of small plastic garbage can lids (suggested diameter of approximately two-and-a-half feet.)

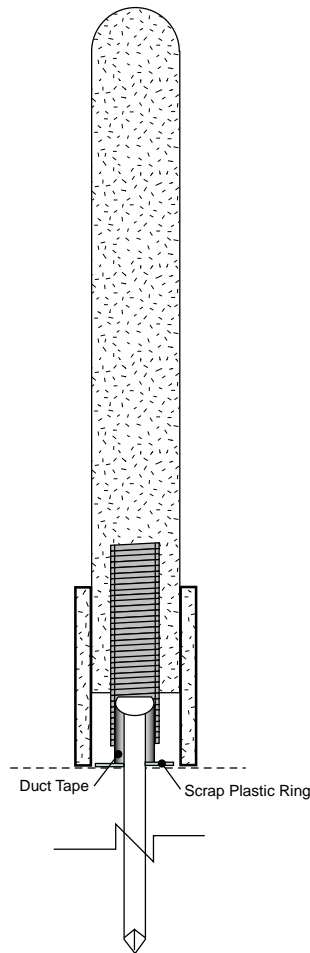


Figure 2: Cross section of finished 'jugging' post.

- 1) Acquire a pair of matching small garbage can lids (approx. 2 1/2' across) or two rolls of 'blue foam'.
- 2) If using blue foam, cut 6 circles 2' in diameter.
- 3) Stack 3 of these circles atop one another and glue them atop each other. Tape the edge together.
- 4) Cut a hole in your base (trash can lid or foam disk from step 2) slightly smaller than the diameter of your Funoodle™ connector.
- 5) Press the connector on the bottom of the Funoodle™ 'post' into the hole you made in step 3 until it is flush with the bottom of the base.
- 6) If you are using blue foam, tape the bottom of the Funoodle™ connector to the bottom of the base. If you are using a trash can lid, tape a strip of foam around the connector just under where it meets the bottom of the lid. This step keeps the post from being accidentally separated from the base during rugged play.
- 7) Repeat steps 3-6 on the second post.
- 8) If desired, make 2 holes approximately 1/4" in diameter on opposite sides of each base so that they can be staked down when necessary.
- 9) Find or make a 'dog skull', and Jug!

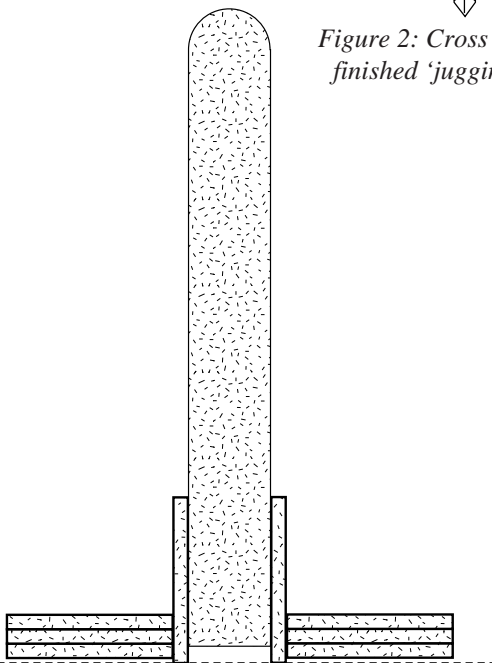


Figure 3: Cross section of no-stake variant using blue foam.

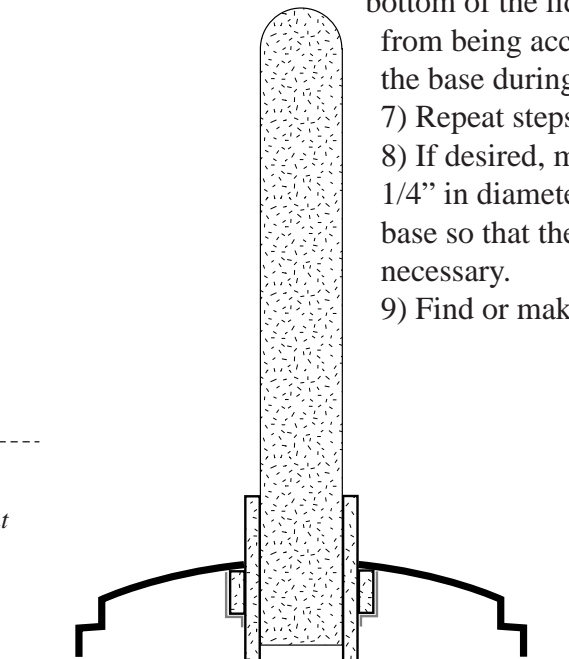


Figure 4: Cross section of no-stake variant using a small trash can lid.

THE BASIC 'DOG SKULL'

I went through two or three preliminary designs trying to find the 'best' skull design for use in the game. The BASIC skull is the same one used in Dragonspine. (Thanks go to Lyvyndyr for providing me with the details.) It is very simple to create and easy to replace. Cut out the shape shown on the BASIC page and tape it short end to short end. That's it. You're done and ready to play! You can extend the life of the BASIC skull by covering the entire thing in duct tape if you like. This also makes it a bit heavier and better for blocking .

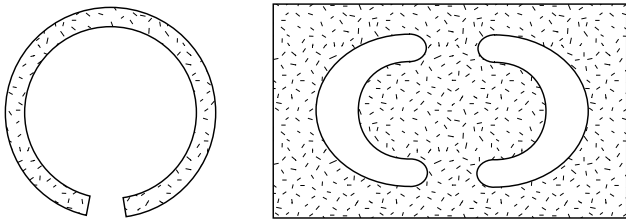


Figure 5: Detail of BASIC 'dog skull'.

THE COMPLEX 'DOG SKULL'

This is not the best looking design, but it is the most durable and it looks a bit better than the BASIC design. It also adds a bit of interest to the style of play by allowing 3 openings to score with rather than just one 'ring'. When decorating this kind of skull, you should use black duct tape cut into the shapes you want. Markers (even permanent ones) tend to rub off before the end of a single day of play. Electrical tapes tend to come off almost immediately. Short of cutting the shapes into the foam, I cannot recommend anything EXCEPT different colored duct tape for detail and decoration. I also added a 'wrapping' of a strap of soft leather to mine. It makes it easier to carry and it looks a bit more like the ones from the movie.

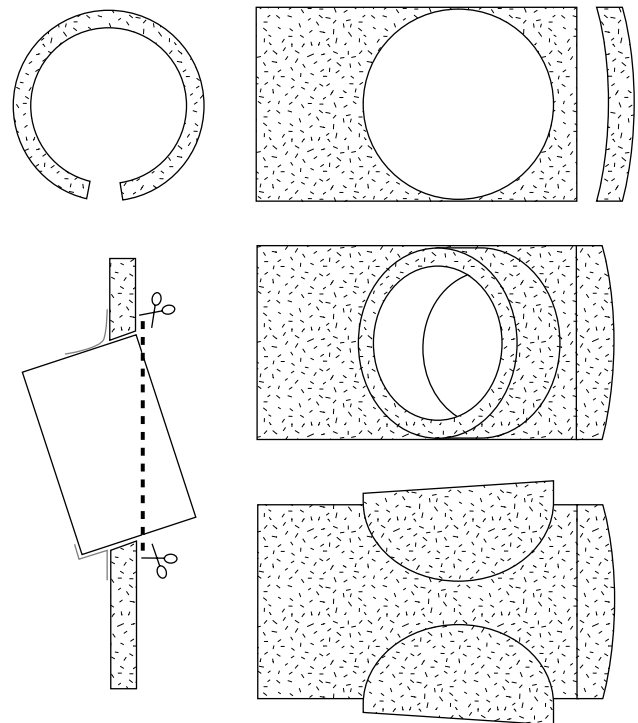


Figure 8: Detail of COMPLEX 'dog skull'.



Figure 6: COMPLEX skull on post through 'mouth'.



Figure 7: COMPLEX skull on post through 'eye sockets'.

- 1) Cut out the 4 pieces as described on the COMPLEX DOG SKULL page.
- 2) Cut out the 'eye socket holes' from the largest piece. Save a round cutout for capping off the largest piece (skull tube.)
- 3) Cover the skull tube in tape (1 layer). Roll it into a tube and secure it with SMALL pieces of tape.
- 4) Fit the 'Eye Socket' (socket) into the hole in the skull tube. Angle it the way you want and the pin it in place.

- 5) Use a marker to draw a line on the excess part of the socket on the **INSIDE**. (See figure 8 for detail).
- 6) Cut off socket excess.
- 7) Repeat steps 4-7 on the second socket.
- 8) Look at the finished piece. If it looks the way you want it too, move to the next step. If not, adjust the fittings until they look OK and then move to the next step.
- 9) Take the pins out and remove the small temporary tape.
- 10) Roll the skull tube and tape it together along the short edges.
- 11) Take one of the left over round pieces from the holes you cut into the skull tube, and tape it to the 'back' of the skull tube. It should be the same size or slightly larger than the tube so will round out when you tape it flush to the skull tube.
- 12) Tape the sockets to the skull tube from the inside **AND** the outside.
- 13) Tape up any areas that might have blue foam showing through or that might come loose during play.
- 14) Decorate with different colored tape(s) to suit your own style. At the very least you should attempt to add teeth and a nasal cavity. In the movie, the victor got to keep the skulls of the defeated. Since these are so cheap to make, you could continue this practice in Amtgard!



Figure 9: Finished COMPLEX skull and post.

THE VERY COMPLEX 'DOG SKULL'

This is by far the best looking design I have come up with so far. In truth, it is not any harder to assemble than the previously discussed version, its just a bit more complicated in design and results in a much better finished result. The procedures for assembling this skull pretty much parallel the ones from the previous version except they require a bit more tape and a bit of trimming for best results.

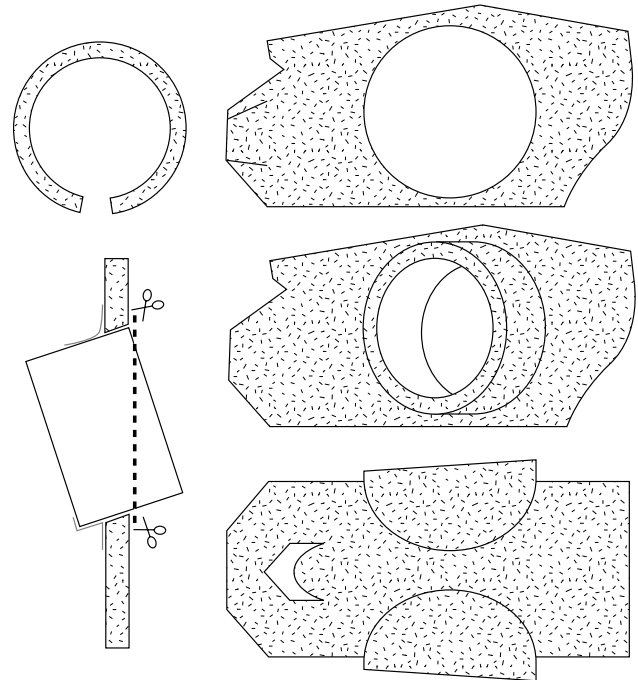


Figure 10: Detail of VERY COMPLEX 'dog skull'.

- 1) Cut out the 3 pieces as described on the
- 2) Cut out the 'eye sockets'.
- 3) Cover the skull tube in tape (1 layer). Roll it into a tube and secure it with a **SMALL** piece of tape.
- 4) Fit the 'Eye Socket' (socket) into the hole in the skull tube. Angle it the way you want and the pin it in place.
- 5) Use a marker to draw a line on the excess part of the socket on the **INSIDE**. (See diagram for detail).
- 6) Cut off socket excess.
- 7) Repeat steps 4-7 on the second socket.
- 8) Look at the overall appearance of the eye sockets in relation to the whole. If it looks the way you want it too, move to the next step. If not, adjust the fittings until they look OK and then move to the next step.

- 9) Take the pins out and remove the small temporary tape.
- 10) Roll the skull tube and tape it together along the short edges.
- 11) Tape the sockets to the skull tube from the inside AND the outside.
- 12) Tape up any areas that might have blue foam showing through or that might come loose during play.
- 13) Fold the mouth areas together and tape to the circular area. Make sure its adequately taped so that the foam doesn't tear during actual use.
- 14) Decorate with different colored tape(s) to suit your own style. At the very least you should attempt to add teeth and a nasal cavity. In the movie, the victor got to keep the skulls of the defeated. Since these are so cheap to make, you could continue this practice in Amtgard! Have fun & play safe!

